

Invacare® Top End® T5™ 7000 Series Tennis Wheelchair



Custom frames may have stylistic variations. Dimensional properties and tolerances committed to by Top End are defined in the Measurement Definitions Documents, which can be found in the resource center on www.topendwheelchair.com

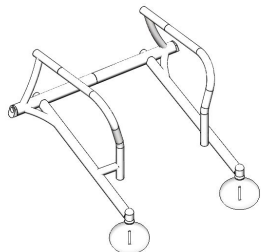
PROVIDER / CUSTOMER INFORMATION:			
Provider Information:		End User Information:	
Date:	IVC Acct #:	Name:	Height:
Contact:	Phone #:	Ship to Address:	Weight (lbs.):
Fax/Email:	State:	Address Line 2:	Leg Length (in.):
<input type="radio"/> Ship to Provider	City:	Zip:	Hip Width (in.):
<input type="radio"/> Ship to End User	State:	Zip:	Phone #:
		Email:	

ORDER REQUEST TYPE:			
<input type="radio"/> Quote	<input type="radio"/> Quote and CAD	<input type="radio"/> Order	PO # <input type="text"/>

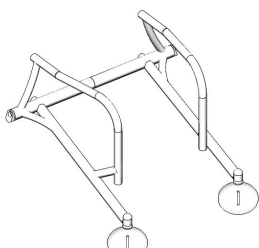
BASE MODEL:		
<input type="radio"/> 10003	Top End T5 7000 Series Tennis Wheelchair <i>Note: Chair ordered without wheels, tires, axles or handrims starts at \$3,125</i>	\$3,295

Assembly: <i>(see definitions)</i>		
<input type="radio"/> 10048	Assembled	\$0
Shipping:		
Shipping Fee <i>(Continental US Only - See definitions)</i>		\$150

FRAME TYPE: <i>(see definitions)</i>		
<input type="radio"/> 15168	Standard Seat Style Frame	\$0
<input type="radio"/> 15169	Tapered Seat Style Frame	\$125
<input type="radio"/> 15173	Heavy Duty Standard Seat Style Frame	\$500

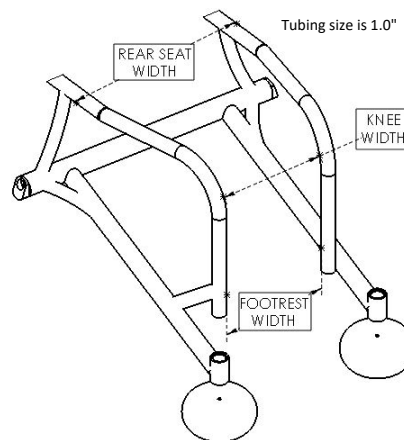


Standard and Heavy Duty Seat Style Frame



Tapered Seat Style Frame

KNEE WIDTH:		
<i>(see diagram below - Only Available with Tapered Seat Style Frame)</i>		
<i>Must be at least 3.0" smaller than the Rear Seat Width - Measured at the widest point of athletes lower leg (inside to inside of the tubing)</i>		
<input type="radio"/> 15133	8.0" Knee Width	\$0
<input type="radio"/> 15139	9.0" Knee Width	\$0
<input type="radio"/> 15145	10.0" Knee Width	\$0
<input type="radio"/> 15146	11.0" Knee Width	\$0
<input type="radio"/> 15147	12.0" Knee Width	\$0
<input type="radio"/> 15148	13.0" Knee Width	\$0
<input type="radio"/> 15151	Custom Knee Width <i>(See Specials Request Box)</i>	\$45



REAR SEAT WIDTH:		
<i>(Measured from outside to outside of the tubing - See Diagram)</i>		
<input type="radio"/> 15009	12.0" Rear Seat Width	\$0
<input type="radio"/> 15010	12.5" Rear Seat Width	\$0
<input type="radio"/> 15011	13.0" Rear Seat Width	\$0
<input type="radio"/> 15012	13.5" Rear Seat Width	\$0
<input type="radio"/> 15013	14.0" Rear Seat Width	\$0
<input type="radio"/> 15014	14.5" Rear Seat Width	\$0
<input type="radio"/> 15015	15.0" Rear Seat Width	\$0
<input type="radio"/> 15016	15.5" Rear Seat Width	\$0
<input type="radio"/> 15017	16.0" Rear Seat Width	\$0
<input type="radio"/> 15018	16.5" Rear Seat Width	\$0
<input type="radio"/> 15019	17.0" Rear Seat Width	\$0
<input type="radio"/> 15020	17.5" Rear Seat Width	\$0
<input type="radio"/> 15021	18.0" Rear Seat Width	\$0
<input type="radio"/> 15022	18.5" Rear Seat Width	\$0

Invacare Corporation Top End Division

All rights reserved. Trademarks are identified by the symbols ™ and ®. All trademarks are owned by or licensed to Invacare Corporation unless otherwise noted. Specifications and prices are subject to change without notification.

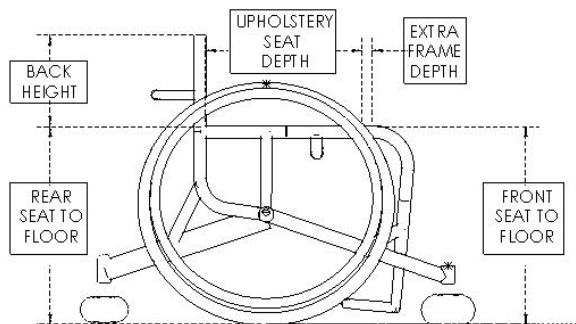
Invacare® Top End® T5™ 7000 Series Tennis Wheelchair



Custom frames may have stylistic variations. Dimensional properties and tolerances committed to by Top End are defined in the Measurement Definitions Documents, which can be found in the resource center on www.topendwheelchair.com

SEAT DEPTH: <i>(see diagram below)</i>			
SEAT DEPTH (Upholstery):			
<input type="radio"/>	15038	12.0" Seat Depth, Upholstery	\$0
<input type="radio"/>	15040	13.0" Seat Depth, Upholstery	\$0
<input type="radio"/>	15042	14.0" Seat Depth, Upholstery	\$0
<input type="radio"/>	15044	15.0" Seat Depth, Upholstery	\$0
<input type="radio"/>	15046	16.0" Seat Depth, Upholstery	\$0
<input type="radio"/>	15048	17.0" Seat Depth, Upholstery	\$0
<input type="radio"/>	15050	18.0" Seat Depth, Upholstery	\$0
<input type="radio"/>	15052	19.0" Seat Depth, Upholstery	\$0
<input type="radio"/>	15399	Custom Seat Depth, Upholstery <i>(See Specials Request Box)</i>	\$45
EXTRA FRAME DEPTH: <i>(see definitions)</i>			
<input type="radio"/>	15142	Standard - 1.0" beginning at end of seat depth	\$0
<input type="radio"/>	15400	Custom Extra Frame Depth <i>(See Specials Request Box)</i>	\$45

BACK HEIGHT: <i>(see diagram below)</i>			
ADJUSTABLE:			
<input type="radio"/>	15126	Adjustable 9" to 11"	\$0
<input type="radio"/>	15127	Adjustable 10" to 14"	\$0
<input type="radio"/>	15128	Adjustable 14" to 18"	\$0
FIXED:			
<input type="radio"/>	15101	Fixed at 8.0"	\$0
<input type="radio"/>	15103	Fixed at 9.0"	\$0
<input type="radio"/>	15105	Fixed at 10.0"	\$0
<input type="radio"/>	15107	Fixed at 11.0"	\$0
<input type="radio"/>	15109	Fixed at 12.0"	\$0
<input type="radio"/>	15132	Custom Fixed Back Height <i>(See Specials Request Box)</i>	\$45



SEAT HEIGHTS: <i>(see diagram below)</i>			
FRONT SEAT TO FLOOR:			
<input type="radio"/>	15060	14.5" Front Seat to Floor	\$0
<input type="radio"/>	15061	15.0" Front Seat to Floor	\$0
<input type="radio"/>	15062	15.5" Front Seat to Floor	\$0
<input type="radio"/>	15063	16.0" Front Seat to Floor	\$0
<input type="radio"/>	15064	16.5" Front Seat to Floor	\$0
<input type="radio"/>	15065	17.0" Front Seat to Floor	\$0
<input type="radio"/>	15066	17.5" Front Seat to Floor	\$0
<input type="radio"/>	15067	18.0" Front Seat to Floor	\$0
<input type="radio"/>	15068	18.5" Front Seat to Floor	\$0
<input type="radio"/>	15069	19.0" Front Seat to Floor	\$0
<input type="radio"/>	15070	19.5" Front Seat to Floor	\$0
<input type="radio"/>	15071	20.0" Front Seat to Floor	\$0
<input type="radio"/>	15072	20.5" Front Seat to Floor	\$0
<input type="radio"/>	15073	21.0" Front Seat to Floor	\$0
<input type="radio"/>	15167	Custom Front Seat to Floor Height <i>(See Specials Request Box)</i>	\$45
REAR SEAT TO FLOOR:			
<input type="radio"/>	15080	14.5" Rear Seat to Floor	\$0
<input type="radio"/>	15081	15.0" Rear Seat to Floor	\$0
<input type="radio"/>	15082	15.5" Rear Seat to Floor	\$0
<input type="radio"/>	15083	16.0" Rear Seat to Floor	\$0
<input type="radio"/>	15084	16.5" Rear Seat to Floor	\$0
<input type="radio"/>	15085	17.0" Rear Seat to Floor	\$0
<input type="radio"/>	15086	17.5" Rear Seat to Floor	\$0
<input type="radio"/>	15087	18.0" Rear Seat to Floor	\$0
<input type="radio"/>	15088	18.5" Rear Seat to Floor	\$0
<input type="radio"/>	15089	19.0" Rear Seat to Floor	\$0
<input type="radio"/>	15090	19.5" Rear Seat to Floor	\$0
<input type="radio"/>	15091	20.0" Rear Seat to Floor	\$0
<input type="radio"/>	15092	20.5" Rear Seat to Floor	\$0
<input type="radio"/>	15093	21.0" Rear Seat to Floor	\$0
<input type="radio"/>	15166	Custom Rear Seat to Floor Height <i>(See Specials Request Box)</i>	\$45

ANTI-TIP:			
<input type="radio"/>	20030	Adjustable Height, Single	\$0
<input type="radio"/>	20032	Adjustable Height, Telescoping, Removable, Single	\$250

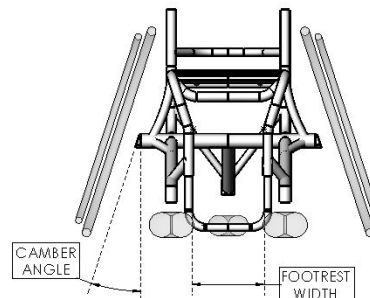
Invacare® Top End® T5™ 7000 Series Tennis Wheelchair



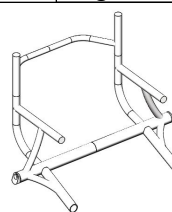
Custom frames may have stylistic variations. Dimensional properties and tolerances committed to by Top End are defined in the Measurement Definitions Documents, which can be found in the resource center on www.topendwheelchair.com

FOOTREST: CHOOSE ONLY 1 STYLE (see definitions) (see diagram)		
TELESCOPING STYLE:		
<input type="radio"/> 60003	Telescoping Style Footrest Adjustable Height	\$0
FOOTREST PLATE:		
<input type="radio"/> 60036	Telescoping, Platform Plate <i>Offers Most Adjustment</i>	\$58
<input type="radio"/> 60024	Telescoping, No Plastic Cover	\$0
<input type="radio"/> 60026	Telescoping, with Plastic Cover	\$50
FOOTREST WIDTH:		
<input type="radio"/> 60073	Standard Footrest Width Seat Width Minus 5.0" (Minimum Footrest Width - 8.0")	\$0
<input type="radio"/> 60078	Custom Footrest Width (See Specials Request Box)	\$45
FOOTREST HEIGHT FROM FLOOR:		
<input type="radio"/> 60022	1.0" - 5.5" From Floor	\$0
<input type="radio"/> 60023	4.0" - 7.0" From Floor	\$50
FOOTREST LOCATION:		
<input type="radio"/> 60033	Standard Footrest Location 95 Degrees - Front Frame to Footrest	\$0
<input type="radio"/> 60032	Custom Footrest Location <i>May specify front frame angle or distance from front of footrest to center of headtube.</i> (See Specials Request Box)	\$45
UPGRADE OPTIONS:		
<input type="radio"/> 60030	Small Click Strap, Single Pad	\$75
RECESSED PLATFORM PLATE:		
<input type="radio"/> 60007	Platform Plate Style, Adjustable	\$200
FOOTREST PLATE:		
<input type="radio"/> 60036	Platform Plate	\$0
FOOTREST PLATE WIDTH:		
<input type="radio"/> 60037	Standard	\$0
FOOTREST HEIGHT FROM FLOOR:		
<input type="radio"/> 60022	1.0" - 5.5" From Floor	\$0
FOOTREST LOCATION:		
<input type="radio"/> 60033	Standard	\$0

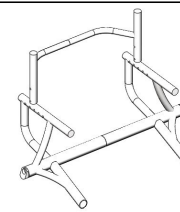
CAMBER ANGLE: (see diagram below)		
<input type="radio"/> 45008	15 Degree Camber	\$0
<input type="radio"/> 45009	18 Degree Camber	\$0
<input type="radio"/> 45010	20 Degree Camber	\$0



CENTER OF GRAVITY: (see diagram below)		
FIXED:		
<input type="radio"/> 45052	Fixed at 4.5" with Welded Backrest	\$0
<input type="radio"/> 45053	Fixed at 5.0" with Welded Backrest	\$0
<input type="radio"/> 45054	Fixed at 5.5" with Welded Backrest	\$0
<input type="radio"/> 45055	Fixed at 6.0" with Welded Backrest	\$0
<input type="radio"/> 45056	Fixed at 6.5" with Welded Backrest	\$0
<input type="radio"/> 45057	Fixed at 7.0" with Welded Backrest	\$0
<input type="radio"/> 45058	Fixed at 7.5" with Welded Backrest	\$0
<input type="radio"/> 45059	Fixed at 8.0" with Welded Backrest	\$0
<input type="radio"/> 45079	Custom Fixed Center of Gravity (See Specials Request Box)	\$45
ADJUSTABLE: (see exclusions)		
<input type="radio"/> 45075	Adjustable 3" to 5" with Adjustable Angle Bolt - On Backrest	\$100
<input type="radio"/> 45076	Adjustable 4" to 6" with Adjustable Angle Bolt - On Backrest	\$100
<input type="radio"/> 45080	Adjustable 5" to 7" with Adjustable Angle Bolt - On Backrest	\$100

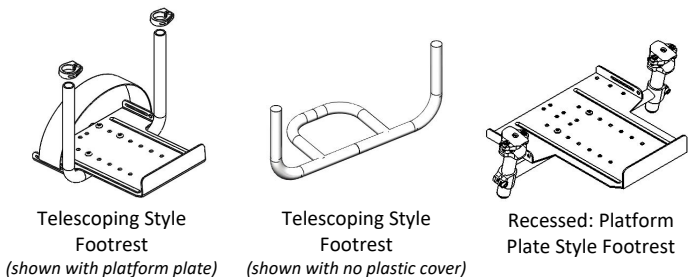
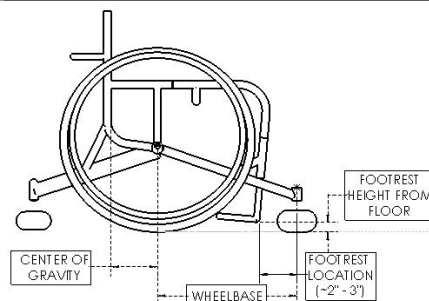


Fixed Center of Gravity



Adjustable Center of Gravity

WHEELBASE: (see definitions) (see Product Guide - Page 8)		
<input type="radio"/> 75014	Standard Wheelbase	\$0
<input type="radio"/> 75023	Custom Wheelbase (See Specials Request Box)	\$45



Telescoping Style Footrest (shown with platform plate)

Telescoping Style Footrest (shown with no plastic cover)

Recessed: Platform Plate Style Footrest

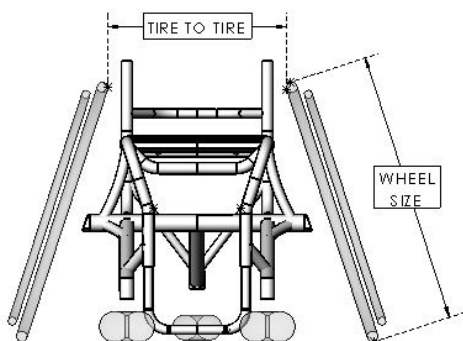
Invacare® Top End® T5™ 7000 Series Tennis Wheelchair



Custom frames may have stylistic variations. Dimensional properties and tolerances committed to by Top End are defined in the Measurement Definitions Documents, which can be found in the resource center on www.topendwheelchair.com

SIDE GUARDS:		
FIXED ALUMINUM: <i>(see exclusions)</i>		
<input type="radio"/> 20016	Omit Side Guards	\$0
<input type="radio"/> 20004	Fixed Aluminum: Clamp - On <i>(only available with adjustable Center of Gravity)</i>	\$125
<input type="radio"/> 20005	Fixed Aluminum: 6" Above Seat	\$175
<input type="radio"/> 20020	Fixed Aluminum: Same Height as Wheel	\$175
<input type="radio"/> 20015	Fixed Aluminum: Custom Height <i>(See Specials Request Box)</i>	\$200
WELDED TUBES: <i>(see exclusions)</i>		
<input type="radio"/> 20006	Welded Tube, 6" Above Seat	\$450
<input type="radio"/> 20018	Welded Tube: Custom Height <i>(See Specials Request Box)</i>	\$475

UPHOLSTERY: <i>(see definitions)</i>		
MATERIAL & COLOR:		
<input type="radio"/> 30001	Nylon, Black Upholstery	\$0
<input type="radio"/> 30003	Nylon, Digital Camouflage Upholstery	\$75
SEAT UPHOLSTERY STYLE:		
<input type="radio"/> 75013	Standard Adjustable Tension Seat Upholstery	\$0
<input type="radio"/> 75007	Solid Seat	\$175
BACK UPHOLSTERY STYLE:		
<input type="radio"/> 30012	Adjustable Tension Back Upholstery	\$0
<input type="radio"/> 30004	Adjustable Tension Back Upholstery with Leather Flaps and Aluminum Dome Plugs <i>(see definitions)</i>	\$75
SEAT CUSHIONS:		
<input type="radio"/> 30005	2" Soft Foam Cushion	\$0
<input type="radio"/> 30006	3" Soft Foam Cushion	\$30
<input type="radio"/> 30008	2" Hard Foam Cushion	\$50
<input type="radio"/> 30009	3" Hard Foam Cushion	\$75
<input type="radio"/> 30010	4" Hard Foam Cushion	\$85



WHEEL SETS: <i>(see Wheel Size Guide - Page 8 for recommendations)</i>		
WHEEL SIZE:		
<input type="radio"/> 50190	24" (540)	\$0
<input type="radio"/> 50191	25" (559)	\$0
<input type="radio"/> 50192	26" (590)	\$0
<input type="radio"/> 50193	700C	\$0
WHEEL STYLE:		
High Performance Wheels:		
<input type="radio"/> 50194	Omit Wheels & Axles, Build for HP	-\$100 <i>(credit)</i>
<input type="radio"/> 50196	High Performance	\$0
Spinergy Wheels:		
<input type="radio"/> 50195	Omit Wheels & Axles, Build for Spinergy	-\$100 <i>(credit)</i>
<input type="radio"/> 50197	Spinergy SLX	\$805
<input type="radio"/> 50198	Spinergy XSLX	\$855
SPOKE COLOR:		
<input type="radio"/> 50273	Red	\$0
<input type="radio"/> 50274	Yellow	\$0
<input type="radio"/> 50275	Green	\$0
<input type="radio"/> 50276	Blue	\$0
<input type="radio"/> 50277	Pink	\$0
<input type="radio"/> 50278	Purple	\$0
<input type="radio"/> 50279	Orange	\$0
<input type="radio"/> 50280	Black	\$0
<input type="radio"/> 50282	White	\$0
<input type="radio"/> 50283	Metal <i>(High Performance wheels only)</i>	\$0
<input type="radio"/> 50281	Custom <i>(See Page 7)</i>	\$200
HANDRIMS:		
<input type="radio"/> 50307	Omit Handrims	-\$40 <i>(credit)</i>
<input type="radio"/> 50297	6 Tabs, Aluminum, Anodized	\$0
<input type="radio"/> 50299	12 Tabs, Aluminum, Anodized <i>Spinergy Only</i>	\$80
HANDRIM MOUNTING:		
<input type="radio"/> 50308	Standard Mount	\$0
<input type="radio"/> 50309	Close Mount	\$0
<input type="radio"/> 50310	Close Mount with Cut Tabs	\$68
TIRES:		
<input type="radio"/> 50169	Omit Tires	-\$30 <i>(credit)</i>
<input type="radio"/> 50216	Primo Grey	\$0
<input type="radio"/> 50217	Kenda Red	\$30
<input type="radio"/> 50218	Kenda Yellow	\$30
<input type="radio"/> 50244	IRC Grey <i>700C Wheels Only</i>	\$125
<input type="radio"/> 50243	IRC Red <i>700C Wheels Only</i>	\$125
TIRE TO TIRE:		
<input type="radio"/> 15155	Standard Tire to Tire <i>(Seat Width Plus 2.5")</i>	\$0
<input type="radio"/> 15157	Custom Tire to Tire <i>(See Specials Request Box)</i>	\$45

Invacare® Top End® T5™ 7000 Series Tennis Wheelchair



Custom frames may have stylistic variations. Dimensional properties and tolerances committed to by Top End are defined in the Measurement Definitions Documents, which can be found in the resource center on www.topendwheelchair.com

ACCESSORIES:		
STANDARD:		
<input type="radio"/>	25066 Calf Strap	\$0
UPGRADABLE:		
SAFETY:		
<input type="radio"/>	25005 Front Frame Protector	\$40
<input type="radio"/>	25004 Rear Frame Protector	\$45
POSITIONING:		
<input type="radio"/>	25001 Click Strap, 8" Small	\$75
<input type="radio"/>	25002 Click Strap, 10" Medium	\$80
<input type="radio"/>	25003 Click Strap, 12" Large	\$90
APPAREL:		
<input type="radio"/>	25084 Lemon Yellow Top End T-Shirt	\$20
<input type="radio"/>	25085 Grey Top End T-Shirt	\$20
<input type="radio"/>	25086 Grey Top End Racer Back Tank Top	\$20
<i>Please select a size for your shirt selection:</i>		
<input type="radio"/>	25087 Extra Small	
<input type="radio"/>	25088 Small	
<input type="radio"/>	25089 Medium	
<input type="radio"/>	25090 Large	
<input type="radio"/>	25091 Extra Large	
<input type="radio"/>	25092 XX Large	
<input type="radio"/>	25093 XXX Large	

FRAME COLOR:				
<input type="radio"/>	55018	Black	Wet Black	\$0
<input type="radio"/>	55019	Black	Black Prism	\$0
<input type="radio"/>	55017	Black	Stealth Black	\$0
<input type="radio"/>	55010	Blue	Midnight Blue	\$0
<input type="radio"/>	55011	Blue	Royal Blue	\$0
<input type="radio"/>	55012	Blue	Electric Blueberry	\$0
<input type="radio"/>	55023	Grey	Stealth Grey	\$0
<input type="radio"/>	55053	Green	Agriculture Green	\$0
<input type="radio"/>	55008	Green	Grasshopper Green	\$0
<input type="radio"/>	55054	Green	Neon Green	\$0
<input type="radio"/>	55006	Orange	Sunkissed Orange	\$0
<input type="radio"/>	55005	Orange	Simple Orange	\$0
<input type="radio"/>	55051	Orange	Neon Orange	\$0
<input type="radio"/>	55015	Pink	Bubblegum Pink	\$0
<input type="radio"/>	55057	Pink	Neon Pink	\$0
<input type="radio"/>	55055	Purple	Lilac Purple	\$0
<input type="radio"/>	55001	Red	Simple Red	\$0
<input type="radio"/>	55002	Red	Tangerine Red	\$0
<input type="radio"/>	55003	Red	Raspberry Red	\$0
<input type="radio"/>	55050	Red	Neon Red	\$0
<input type="radio"/>	55020	Silver	Silver Metallic	\$0
<input type="radio"/>	55016	White	White Snow	\$0
<input type="radio"/>	55007	Yellow	Safety Yellow	\$0
<input type="radio"/>	55052	Yellow	Neon Yellow	\$0
<input type="radio"/>	55070	Raw	Buffed Aluminum	\$0

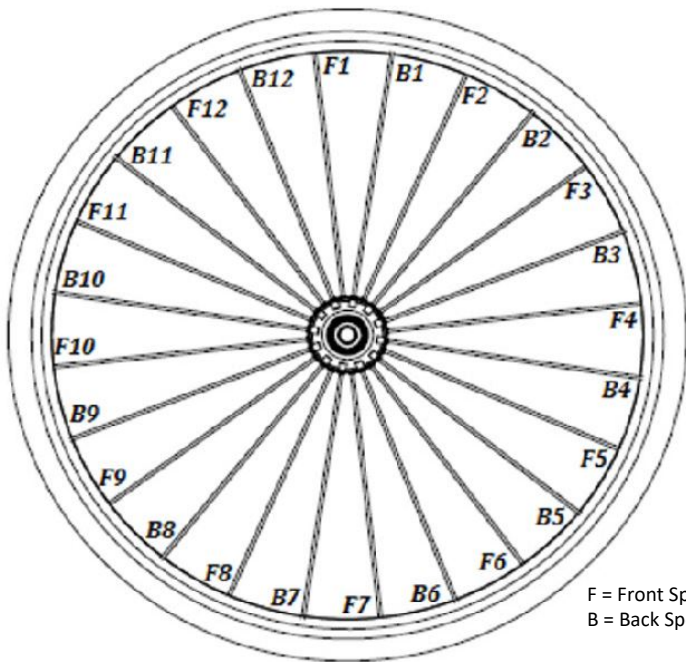
Note: All Special requests are subject to approval, additional charges and additional lead time.

Special Request 1)	
Special Request 2)	
Special Request 3)	
Special Request 4)	
Special Request 5)	

Invacare® Top End® T5™ 7000 Series Tennis Wheelchair



Custom frames may have stylistic variations. Dimensional properties and tolerances committed to by Top End are defined in the Measurement Definitions Documents, which can be found in the resource center on www.topendwheelchair.com



F = Front Spoke
B = Back Spoke

CUSTOM SPINERGY SLX:	
Wheel Size	
Hub Color	

CUSTOM SPINERGY SLX:	
Spoke Color:	
F1	
B1	
F2	
B2	
F3	
B3	
F4	
B4	
F5	
B5	
F6	
B6	
F7	
B7	
F8	
B8	
F9	
B9	
F10	
B10	
F11	
B11	
F12	
B12	



F = Front Spoke
B = Back Spoke

CUSTOM SPINERGY XSLX:	
Wheel Size	
Hub Color	

CUSTOM SPINERGY XSLX:	
Spoke Color:	
F1	
B1	
F2	
B2	
F3	
B3	
F4	
B4	
F5	
B5	
F6	
B6	
F7	
B7	
F8	
B8	
F9	
B9	
F10	
B10	
F11	
B11	
F12	
B12	

Invacare® Top End® T5™ 7000 Series Tennis Wheelchair



Custom frames may have stylistic variations. Dimensional properties and tolerances committed to by Top End are defined in the Measurement Definitions Documents, which can be found in the resource center on www.topendwheelchair.com

PRODUCT GUIDE:

SUGGESTED WHEELBASE:

WHEELBASE BASED ON REAR SEAT TO FLOOR HEIGHT (GREATER OR EQUAL TO 19.0")										
CENTER OF GRAVITY	FIXED	ADJUSTABLE	SEAT DEPTH							
			12.0"	13.0"	14.0"	15.0"	16.0"	17.0"	18.0"	19.0"
			4.5"	--	17.5"	17.5"	18.5"	18.5"	19.5"	20.5"
5.0"	3"-5"	17.0"	17.0"	18.0"	18.0"	19.0"	20.0"	22.0"	22.0"	
5.5"	--	16.5"	16.5"	17.5"	17.5"	18.5"	19.5"	21.5"	21.5"	
6.0"	4"-6"	16.0"	16.0"	17.0"	17.0"	18.0"	19.0"	21.0"	21.0"	
6.5"	--	15.5"	15.5"	16.5"	16.5"	17.5"	18.5"	20.5"	20.5"	
7.0"	5"-7"	15.0"	15.0"	16.0"	16.0"	17.0"	18.0"	20.0"	20.0"	
7.5"	--	14.5"	14.5"	15.5"	15.5"	16.5"	17.5"	19.5"	19.5"	
8.0"	--	14.0"	14.0"	15.0"	15.0"	16.0"	17.0"	19.0"	19.0"	

WHEELBASE BASED ON REAR SEAT TO FLOOR HEIGHT (LESS THAN 19.0")										
CENTER OF GRAVITY	FIXED	ADJUSTABLE	SEAT DEPTH							
			12.0"	13.0"	14.0"	15.0"	16.0"	17.0"	18.0"	19.0"
			4.5"	--	16.5"	16.5"	17.5"	17.5"	18.0"	19.0"
5.0"	3"-5"	16.0"	16.0"	17.0"	17.0"	17.5"	18.5"	19.5"	20.5"	
5.5"	--	15.5"	15.5"	16.5"	16.5"	17.0"	18.0"	19.0"	20.0"	
6.0"	4"-6"	15.0"	15.0"	16.0"	16.0"	16.5"	17.5"	18.5"	19.5"	
6.5"	--	14.5"	14.5"	15.5"	15.5"	16.0"	17.0"	18.0"	19.0"	
7.0"	5"-7"	14.0"	14.0"	15.0"	15.0"	15.5"	16.5"	17.5"	18.5"	
7.5"	--	13.5"	13.5"	14.5"	14.5"	15.0"	16.0"	17.0"	18.0"	
8.0"	--	13.0"	13.0"	14.0"	14.0"	14.5"	15.5"	16.5"	17.5"	

WHEEL SIZE GUIDE:

Player Specifications:	Junior's / Short Arms	Adult / 3.0 or Lower	Adult / 3.5 or Higher
Rear Seat Height:	16.0" or less	16.5" to 19.0"	19.0" to 21.0"
Recommended Wheel Size:	24"	25"	26"

EXCLUSIONS:

Adjustable Center of Gravity:	- Not available with Fixed Side Guards or Welded Side Guards.
High Performance Wheels:	- Custom Spoke Colors are not available. - Not available with 12 Tab Handrims.

PRODUCT SPECIFICATIONS:

Weight Capacity:	250 pounds (113 Kilograms) or 350 pounds (159 Kilograms) with the Heavy Duty Option
Approximate Box Weight:	44 pounds (20 Kilograms)
Box Dimensions:	41" x 28" x 28" or 41" x 28" x 33" depending on size of chair.

DEFINITIONS:

Assembly and Shipping:	Arrives factory assembled, rear wheels and some accessories will need to be installed. Shipping rate is \$150 for all shipments in the continental US. Freight quotes for shipments outside the continental US are available upon request.
Heavy Duty Frame:	When Heavy Duty is chosen, the frame will be made out of 1-1/8" 7000 series aluminum and the weight capacity is increased to 350 pounds.
Extra Frame Depth:	When Extra Frame Depth is chosen the seat upholstery will stop at the selected Seat Depth and the frame will continue beyond. The extra frame is often used to help transfer in and out of the chair.
Tapered Seat and Footrest Width:	When a tapered seat width is chosen the footrest width will be 2" less than the front seat width unless otherwise noted in the specials section.
Footrest Location:	Measured as the Front Frame Angle (front frame angle to the footrest)
Wheelbase:	Wheelbase is measured from the middle of the rear axle to the middle of the caster head tube. See Diagram 2.
Upholstery Color:	When camouflage upholstery color is chosen and a seat cushion is chosen, both will be camouflage.
Leather Flap with Aluminum Dome Plugs:	When the Leather Upgrade is chosen the flaps (part of the upholstery that goes down over the back posts) will be made of leather. Also, the caps on the backrest post will be aluminum. This is used to help reinforce the back upholstery and help prevent tearing.
Buffed Aluminum Frame:	When the Buffed Aluminum Frame Color is chosen the frame will have no paint. The frame tubes will be run through a buffer and then hand buffed. Decals will be applied. This option is generally chosen when a person wants a natural aluminum color/look to the chair and/or to avoid the chipped paint look.

Warranty Info:

Invacare warrants the frames when purchased new and unused to be free from defects in materials and workmanship for a period of three (3) years from the date of purchase from Invacare or a dealer, with a copy of the seller's invoice required for coverage under this warranty. Invacare warrants the upholstered materials (seat and back) and remaining components of this product when purchased new and unused to be free from defects in materials and workmanship for a period of thirteen (13) months from date of purchase from Invacare or a dealer, with a copy of the seller's invoice required for coverage under this warranty